



KATO

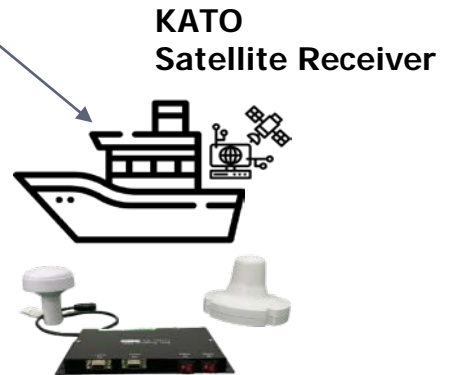
KTS-21



**KTS-21
Satellite
Buoy**



Satellite



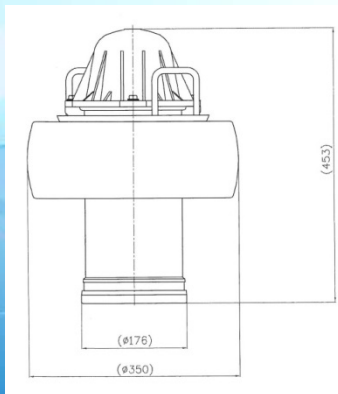
**KATO
Satellite Receiver**

⊕ Feature

- Real time info: GPS, water temperature..etc.
- Global wide signal
- Easy to install
- Solid designed for long term use

⊕ Satellite Buoy

KTS-21 Satellite buoy is specifically designed for long-line fishing vessels to promote sustainable and effective tuna fishing. It is built-in Iridium's newest Isatdata Pro terminal, which can provide reliable data messages via Iridium global satellite network with highest payload and lowest latency service. It is equipped rechargeable battery and magnetic switch. It will provides the real time information to fishing vessels.



| | |
|---|---|
| Dimensions (H×Diameter) | 45.3cm × Ø 35cm |
| Weight | 10Kg |
| Interface | Iridium |
| Power Supply | 6V battery |
| Waterproof | 6 BAR |
| Temperature | Operating Temp. : 2°C ~ 55°C Storage Temp. : -5°C ~ 55°C |

嘉藤電氣股份有限公司 Kato Electronic Co., LTD.

www.radiobuoy.com

Tel: +886 7 8314266
+886 7 8602067

Fax: +886 7 8315041

Email: kato.buoy@msa.hinet.net

